

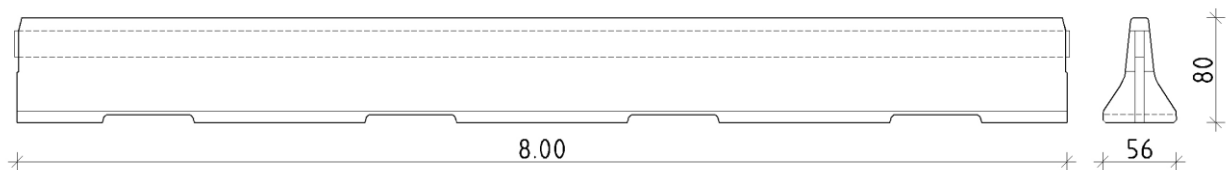
REBLOC RB80_8_H1/W4

standard element tested according to EN 1317-2

DATA SHEET

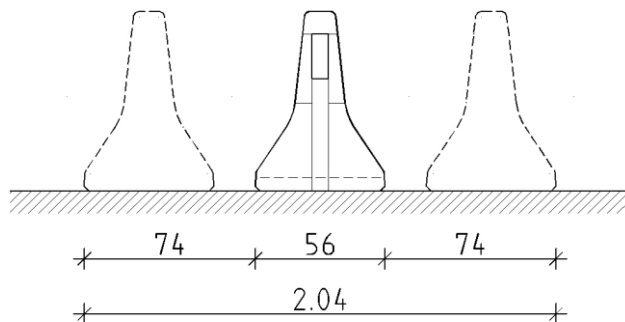
general

containment level: H1 (N2-N1)
 level of working width: W4 (W5-W8)
 impact severity level/ASI: B

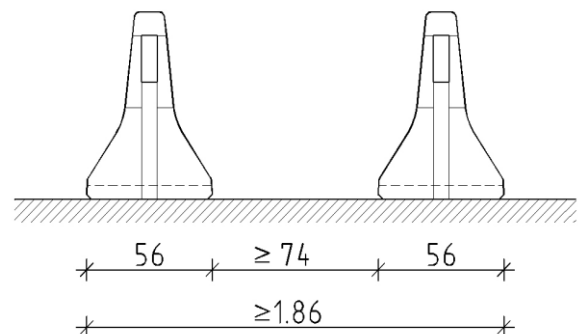


installation

single row (central reservation, verge)



double row (central reservation)



technical data

weight/element: 4.200 kg
 minimum installation length: 112 m (without terminal elements)
 anchorage: only terminal elements (see data sheet RB80_4T)
 curve radius: $r \geq 108$ m, smaller radius in combination with RB80_4 and RB80_2
 concrete quality: C30/37, freeze-thaw and de-icing resistant
 (according to national requirements)
 coupling: fully integrated, hot dip galvanized

system elements – combinable

standard element RB80_2
 standard element RB80_4
 standard element RB80_8_N2/W3
 terminal element RB80_4T (1:5)
 transition element RB80_100_4
 transition element RB80_STEEL_4