

REBLOC RB100_8_H2/W5

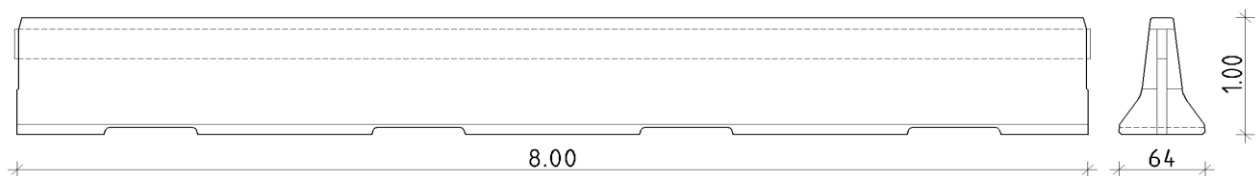
standard element

tested according to EN 1317-2

DATA SHEET

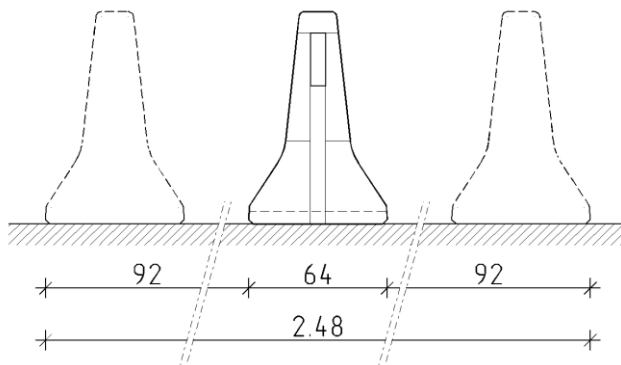
general

containment level: H2 (H1-N1)
 level of working width: W5 (W6-W8)
 (maximum displacement: 92 cm)
 impact severity level/ASI: B

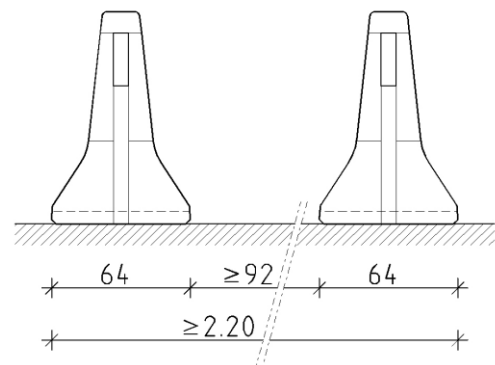


installation

single row (central reservation, verge)



double row (central reservation)



technical data

weight/element: 5.950 kg
 minimum installation length: 104 m (without terminal elements)
 anchorage: only terminal elements (see data sheet RB100_4T)
 curve radius: $r \geq 108$ m, smaller radius in combination with RB100_4 and RB100_2
 concrete quality: C30/37, freeze-thaw and de-icing resistant
 (according to national requirements)
 coupling: fully integrated, hot dip galvanized

system elements – combinable

standard element RB100_2
 standard element RB100_4
 standard element RB100_8_H4b/W6
 terminal element RB100_4T (1:5)
 transition element RB80_100_4
 transition element RB100_STEEL_4